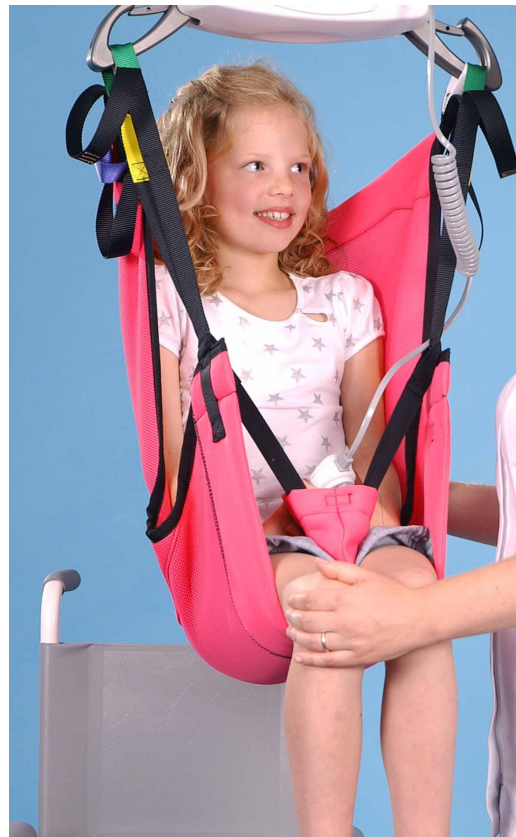


# PRISM

## Prism Comfort Recline Sling Range



# User Manual

PRISM MEDICAL UK

# Prism Comfort Recline Sling

## Application

The Comfort Recline Sling is designed for ease of fitting and general purpose transfer. It can be used to transfer from the seated to recumbent position or from recumbent to seated. This sling is designed to remain in position on the chair underneath the person and is ideal when introduction of a sling is difficult (for example, when hoisting a person who uses a tight fitting chair). It's space saver fabric is breathable and stretches to mould into the shape of the chair, ensuring comfort for the person. Use of this sling is subject to risk assessment and monitoring of pressure risks.

The person must be assessed by a competent person who must be fully trained in the suitability, application and fitting of the sling. Carers should always be trained in the use of hoists and slings.

## Sling Inspection

All Prism Slings are manufactured to meet and exceed the requirements of BS EN 10535:2006 'Hoists for the transfer of disabled persons – Requirements and test methods'. Slings should be inspected prior to use and after washing. Damaged or badly worn slings should be discarded... The label on the sling contains vital information to identify the sling - if any part of the label becomes illegible, then it must be removed from service and replaced.

The sling should be visually inspected with regard to the following items:-

- Any signs of damage (i.e. Cuts, frays, tears, burns) to the sling straps
- Any signs of stitching becoming undone on any part of the sling
- Any signs of the fabric being stretched, tearing or undue wear
- Any signs of discolouring or bleaching on the material
- Is the sling complete? i.e. all straps present, stiffeners in place - where applicable, etc
- Label clearly legible

## Compatibility

The issue of sling compatibility with various manufacturers' hoists has been a concern for specifiers for a number of years, an issue that is compounded by the increased number of companies supplying hoists and slings.

Some hoist/sling manufacturers will state that only slings manufactured by them can be used on their hoists and vice versa. This is their policy only and is **NOT** a legal requirement. A risk assessment must still be completed even if the same manufacturer of hoist and sling are to be used, and the specifier simply has to state that the carry bar is of a similar design and that the sling manufacturer has authorised its use on it.

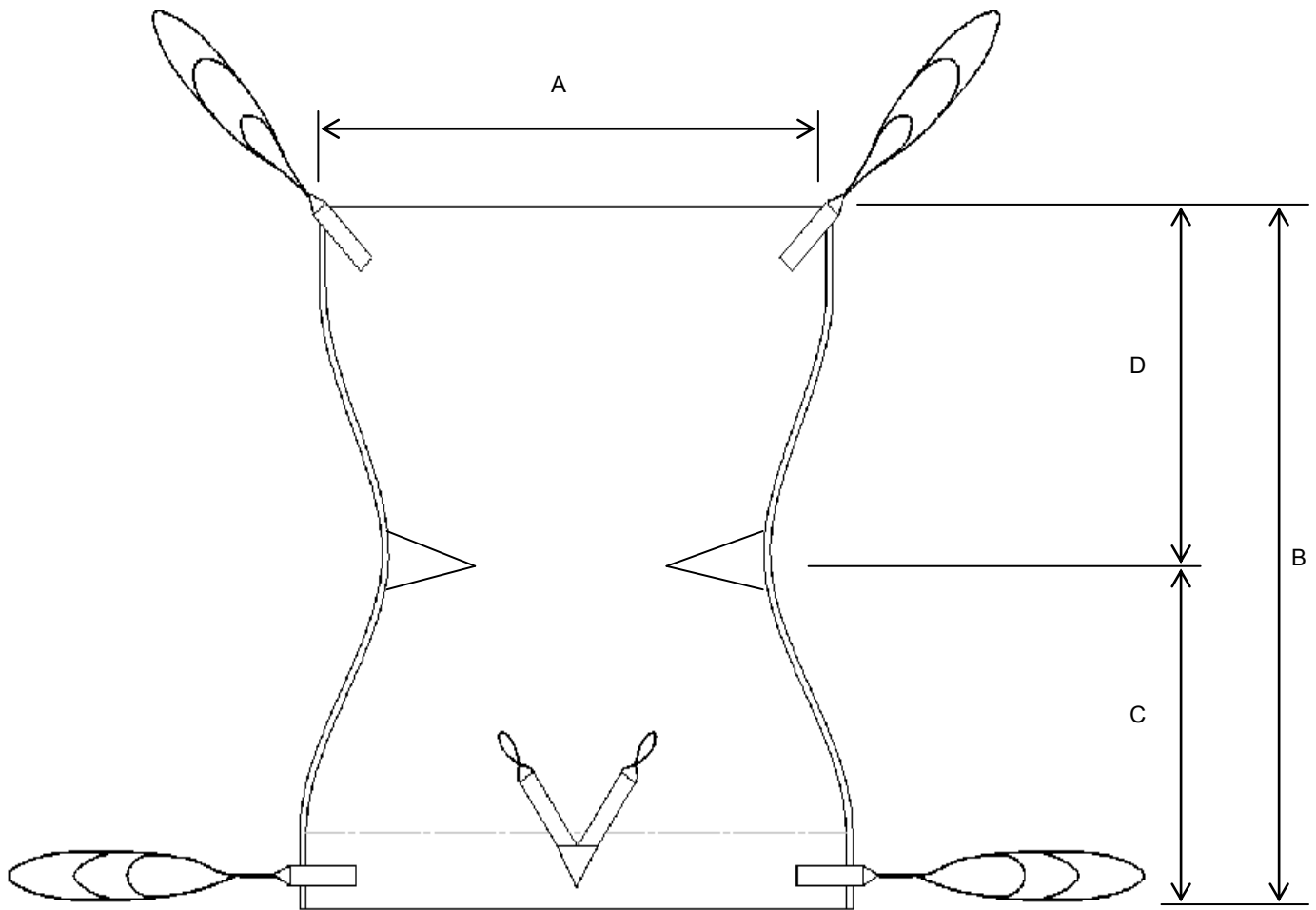
A comprehensive list is available separately and your local agent will be able to provide assistance with compatibility issues.

## Maximum Load (Safe Working Load - SWL)

The maximum load for the sling is clearly marked on the label of the sling. The maximum load will also be displayed on the hoist and any detachable elements of the hoisting system.

**DO NOT exceed the maximum load stated on any of the equipment.**

## Sling Dimensions



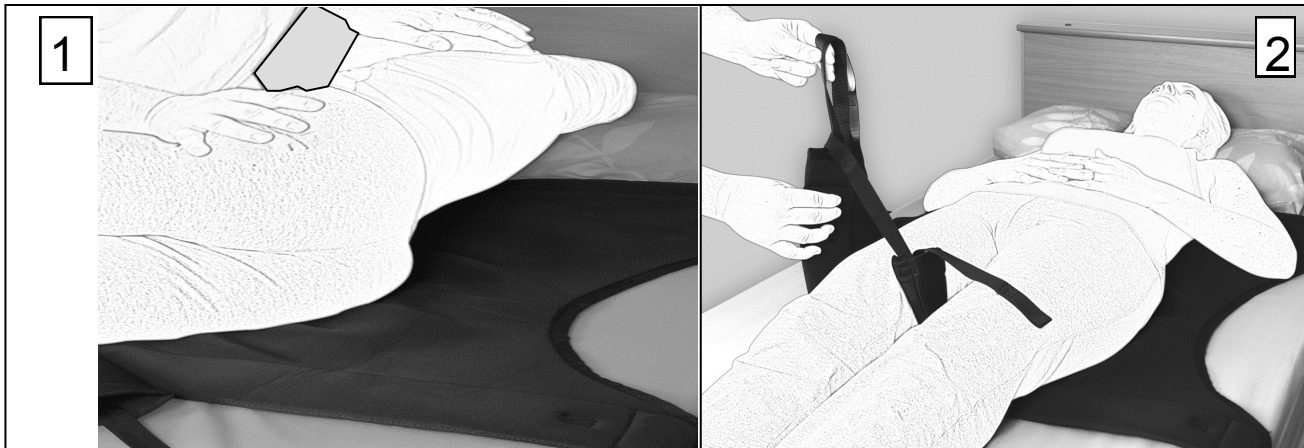
	<b>A</b>	<b>B</b>	<b>C</b>	<b>D</b>
<b>Child</b>	650	690	290	400
<b>Junior</b>	700	760	305	455
<b>Small</b>	780	960	430	530
<b>Medium</b>	880	1070	490	580
<b>Large</b>	1060	1210	570	640
<b>X Large</b>	1180	1310	620	690

All dimensions have a tolerance of +/- 20mm

## Hoisting from a Bed

**Note: The person to be transferred shall be referred to as “the person”.**

Ensure the label side is facing the bed before commencing the fitting procedure below.



Using good manual handling techniques, roll the person towards you so that they are positioned on their side. Introduce the sling by rolling half of the sling up underneath itself so that when the person is rolled onto their opposite side, the sling can be unrolled until it is flat.

Turn the person onto their back and ensure that they are positioned centrally on the sling with the bottom of the sling positioned just behind the knees. The leg support straps should now be threaded through the loops on the pommel.



The four straps should now be attached to the carry bar hooks. Raise the carry bar just enough to tension the straps and **ensure that they are still securely attached**. The person can now be lifted as required. The sling is designed to recline the person when lifted. Image 3 above shows the sling being used with optional spreader bars. The person can now be transferred to a chair. Important - always check the sling position before transferring the person again.

### Hoisting from the floor

Before commencing the manoeuvre, introduce a pillow to ensure the client is comfortable. Follow the procedures 1-2 as above to fit the sling. If using a mobile hoist, introduce the hoist using the method approved in your local area so that the carry bar is positioned correctly above the client.

Procedure 3 can now begin.

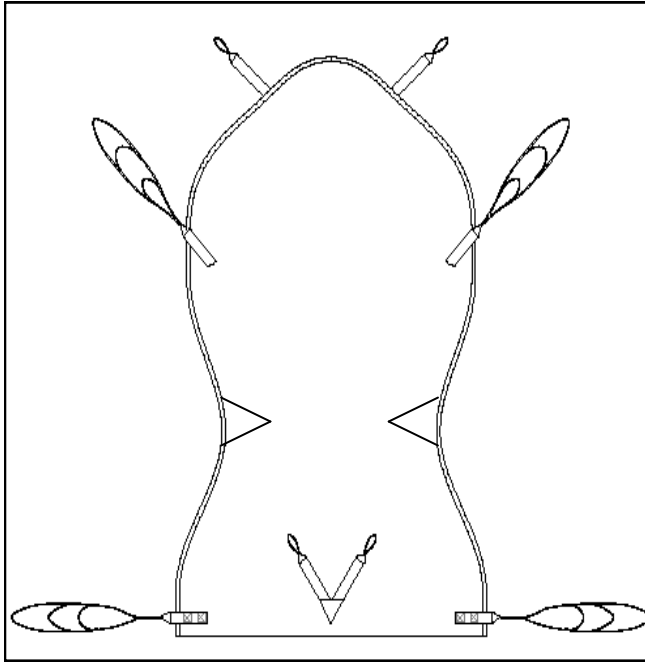
**To remove the sling, carry out the fitting procedure in reverse.**

**Important - always peel the sling away from the person to avoid skin friction and movement.**

#### Notes

- The above techniques are for guidance only and you must comply with your local policies
- If in doubt, consult your moving and handling advisor

## Taped Head Support

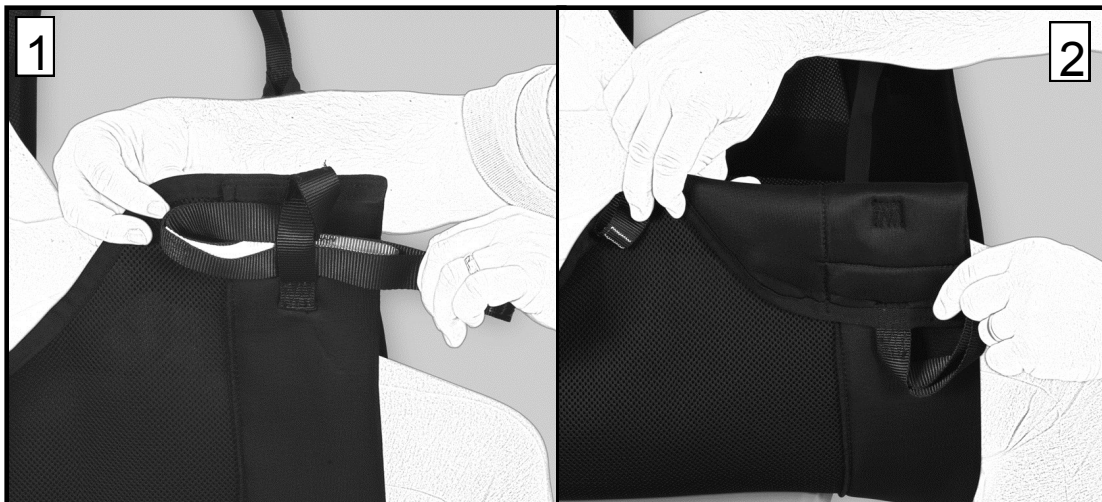


The comfort recline sling is also available with a taped head support. The additional straps are adjustable to suit the clients head position and level of support.

The additional straps connect to the carry bar direct onto the same hooks that the shoulder straps are attached to.



## Strap Storage Points



Once the person is in the chair, the straps can be tucked away to prevent them from trailing on the floor or snagging in the wheels. Fold the strap and push it through the short retainer on the sling as shown in figure 1 above. Once in place, fold over the edge of the sling (fig 2) and gently tuck it down the side of the persons leg.

This procedure can be repeated for the shoulder straps.



The central pommel is also a storage pocket for the straps. The spacer pocket has a hook and loop fastener at the top. Push the straps into the pocket and push the spacer pocket together at the top. Gently tuck the pocket between the persons legs

## Prism Comfort Recline Sling - Material Variants

**Black/Pink Spacer:** The sling is made from knitted polyester “spacer” fabric that is manufactured with an ‘air gap’ internally. The material stretches slightly in all directions and moulds perfectly to the shape of the person being hoisted.

### DECLARATION OF CONFORMITY

Manufacturers Name: Prism Medical UK Ltd

MHRA Registration No: CA 013248

Manufacturers Address: Unit 4 Jubilee Business Park, Jubilee Way,  
Grange Moor, Wakefield,  
WF4 4TD, UK  
Tel +44 (0) 844 980 2260

Declares that the manufactured product:-

Product Name: Prism Comfort Recline Sling .

Product Options : Child, Junior, Small, Medium, Large, XL Large.  
All slings are available either with or without Head Support.

Conforms to the following European Union Council Directives:-

#### **Directive 93/42/EEC and all amendments up to Directive 2007/47/EC**

Classification Class 1, Low Risk Medical Device

Tested in accordance with BS EN ISO 10535:2006 & IEC 60601 3rd Edition

#### **Supplementary Information:**

The undersigned declares the product herewith complies with the requirements set out above and carries the CE mark accordingly.

The Technical Construction File required by this directive is maintained by the manufacturer as detailed above.

Signed: 

Date: 14th November 2014

Craig Wright, Manufacturing Director

## **SLING CARE: LAUNDERING**

### **GENERAL.**

Sensitive laundering of lifting slings will extend the service life of the product. Conversely, improper laundering will reduce the service life and possibly affect the strength and integrity of the sling.

To be avoided:

- Use of bleach at washing, particularly hypochlorite [may cause structural damage]
- Overheating the sling [temperatures in excess of 100° may cause extreme shrinkage and structural damage]

Use of non-biological detergents is not recommended (especially Fairy Non - Bio): as these types of detergent contain bleaching agents that can degrade the strength of the sling.

The use of fabric conditioners is not recommended.

Any hook & loop fastenings should be closed prior to laundering to avoid the 'hook' side damaging the sling or other items laundered with it.

### **GENERAL SOILING.**

The sling should be laundered with soap or detergent at 50°C on a standard domestic cycle.

### **DISINFECTION.**

The sling should be laundered to ensure a 'period at temperature' of:

- 10 minutes at 65°C
- 3 minutes at 72°C

Following NHS guidelines, extra time should be added to ensure thorough mixing of hot water through the wash load.

It may be that available equipment does not allow the required level of temperature control. The sling may be washed on a 90°C wash cycle, though it is likely that some moderate shrinkage and/or colour bleed will occur.

### **DRYING.**

Slings will air dry quite quickly in a warm room.

Slings should not be placed over radiators or convectors.

Slings may be **CAREFULLY** tumble dried on a cool [60°C] setting and short cycle. The sling should be checked at intervals not exceeding 5 minutes.

**Do not allow the sling to overheat.**

The sling should last in excess of 5 years if the above guidelines are adhered to. All Prism Slings have a manufacturers guarantee of 12 months.

## Care Plan Information

All slings in the Prism range have space on the labels to record the clients name. Each sling has unique individually colour coded lifting loops which helps maintain good lifting practice. The loop options facilitate variable positions from sitting to recline.

<b>Date of Assessment :</b>		<b>FIM Score:</b>	
<b>Clients Name:</b>			
<b>Approx Weight:</b>		<b>D.O.B:</b>	
<b>Type of Sling:</b>		<b>Size:</b>	
	<b>Sling Straps Coloured loop Options</b>		
<b>Head Support (Option):</b>	Adjust slider to suit the persons head position		
<b>Shoulder Loop:</b>	White <input type="checkbox"/>	Orange <input type="checkbox"/>	Black <input type="checkbox"/> Other <input type="checkbox"/>
<b>Leg loop:</b>	Yellow <input type="checkbox"/>	Green <input type="checkbox"/>	Brown <input type="checkbox"/> Other <input type="checkbox"/>
<b>Comments</b>			

If you have any questions regarding the use of this equipment, please contact Prism Medical UK, or your local authorised dealer.



Prism Medical UK, Unit 4 Jubilee Business Park,  
Jubilee Way, Grange Moor, Wakefield, WF4 4TD.

Tel +44 (0) 844 980 2260

[www.prismmedical.co.uk](http://www.prismmedical.co.uk)

[info@prismmedical.co.uk](mailto:info@prismmedical.co.uk)

**This document conforms to BS EN ISO 10535:2006 Requirements**

