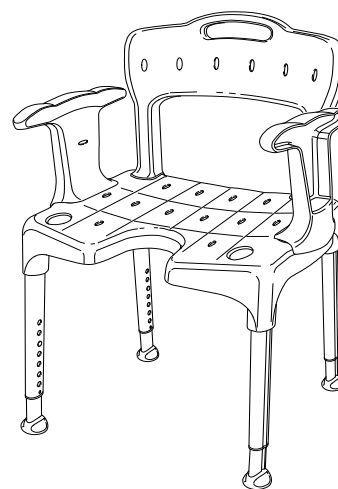
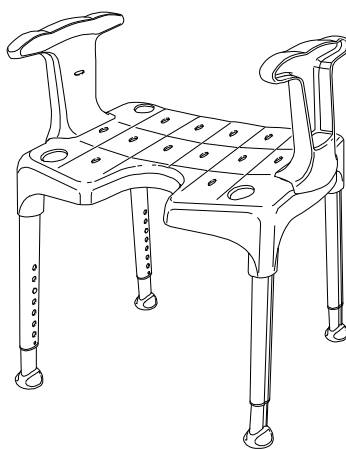
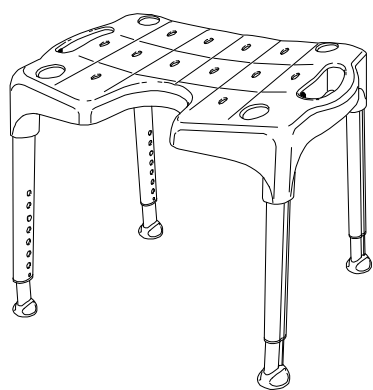


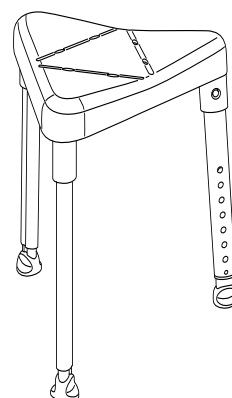
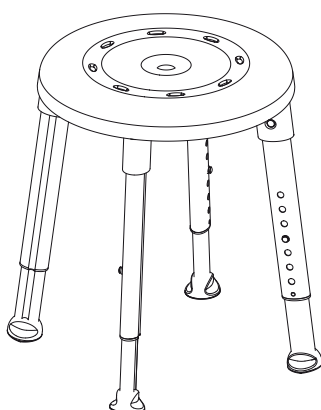
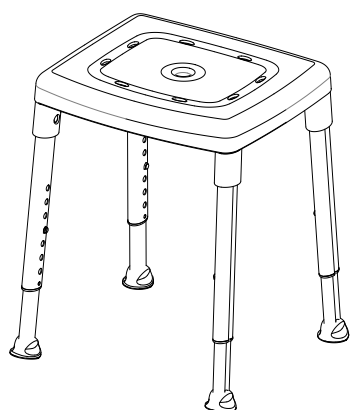
Etac Swift/Smart/Easy/Edge Manual

etac®

78390.17 23-01-12



Etac Swift



Etac Smart

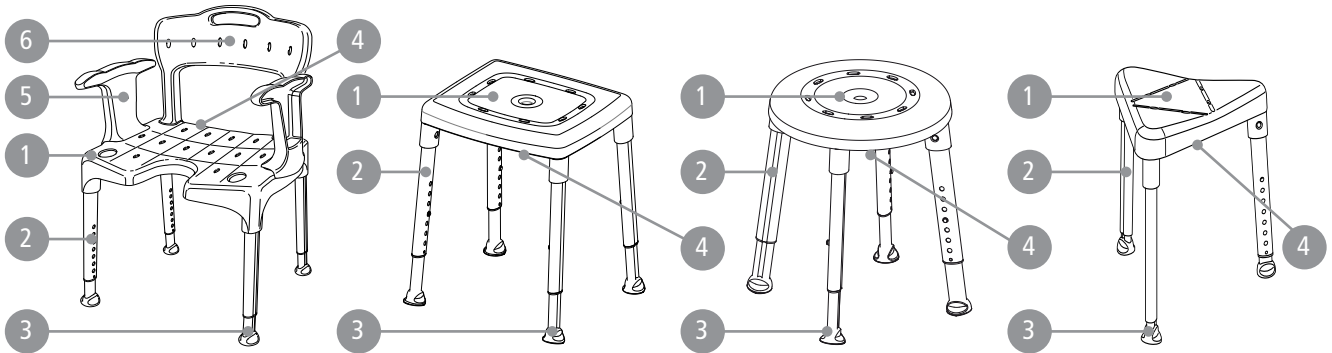
Etac Easy

Etac Edge

sv no da en de fi fr nl is it es pt ms

sv Svenska 4	de Deutsch 8	is Íslenska 12	ms Bahasa Malaysia 16
no Norsk 5	fi Suomi 9	it Italiano 13	
da Dansk 6	fr Français 10	es Español 14	
en English 7	nl Nederland 11	pt Português 15	

A



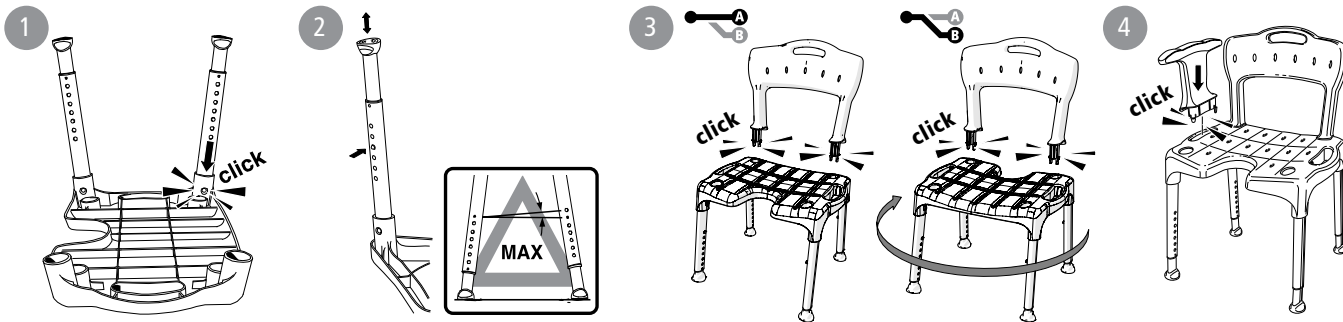
B

Swift	420-570 mm 16½"-22½"	540 x 410 mm 21¼" x 16¼"	530-540/565-595 mm 20¾"-21¼" / 22¼"-23½"	3,1/3,9/4,7 kg 7/8/10 lbs	160 kg (*150 kg) 352 lbs	210 mm / 450 mm 8¼" / 17¾"	800-950 mm 31½"-37½"
Swift low	345-420 mm 13½"-16½"	540 x 410 mm 21¼" x 16¼"	520-530/555-565 mm 20¼"-20¾" / 21¾"-22¼"	2,9 kg/4,5 kg 6/10 lbs	160 kg 352 lbs	210 mm / 450 mm 8¼" / 17¾"	725-800 mm 28½"-31½"
Smart	420-570 mm 16½"-22½"	430 x 380 mm 21¼" x 16¼"	455-465 x 410-430 mm 18"-18¼" / 16¼"-17"	3,15 kg 7 lbs	200 kg (*150 kg) 440 lbs (*330 lbs)	-	-
Smart low	345-420 mm 13½"-16½"	430 x 380 mm 17" x 15"	455-460 x 410-415 mm 18" / 16¼"	2,98 kg 6 lbs	200 kg 440 lbs	-	-
Edge	420-570 mm 16½"-22½"	450 x 405 mm 17¾" x 16"	500-520 mm 19¾"-20½"	2,6 kg 6 lbs	130 kg 286 lbs	-	-
Edge low	345-420 mm 13½"-16½"	450 x 405 mm 17¾" x 16"	490-500 mm 19¼"-19¾"	2,4 kg 5 lbs	130 kg 286 lbs	-	-
Easy	420-570 mm 16½"-22½"	400 mm 16"	495-535 mm 19½"-21"	2,75 kg 6 lbs	200 kg (*150 kg) 440 lbs (*330 lbs)	-	-

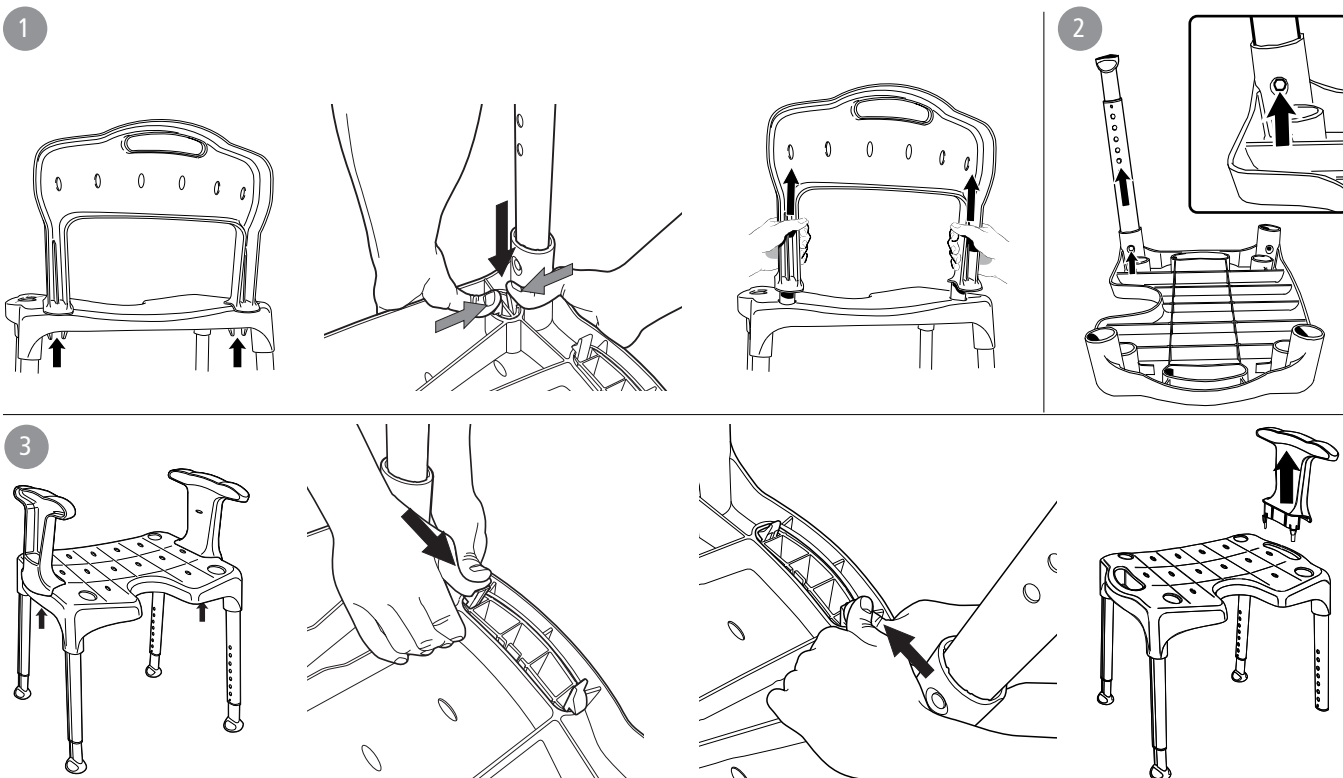
*Item no. 81901070 / 81901080 / 81901090 / 81951070 / 81951080 / 81951090 / 81701480

Swift	380 mm 15"	448 mm 17¾"				
Swift low	380 mm 15"	448 mm 17¾"				
Smart	-	-				
Smart low	-	-				
Edge	-	-				
Edge low	-	-				
Easy	-	-				

C



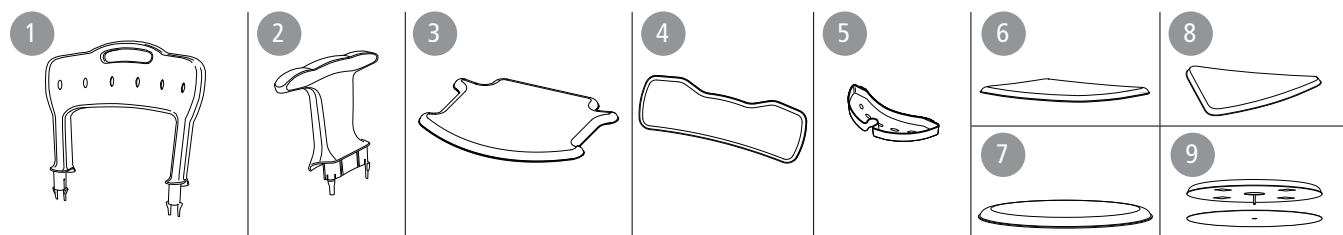
D



E




F




sv no da en de fi fr nl is it es pt ms

en **English**

Thank you for choosing an Etac product. In order to avoid damage during assembly, handling and use, it is important to read this manual and save it for future reference. You can also find it at www.etac.com. You can select your language via the "International" and "Local websites" link. Here you will also find other product documentation, such as prescriber information, pre purchase guide, and reconditioning instructions. In the manual, the User is the person sitting in the chair. The carer is the person helping the user.

 This symbol appears in the manual along with text. It indicates instances where the safety of the user or the assistant may be at risk.

 The images which are referred to on each page are found at the start of the manual (pages 2 to 3). See Figures A to F for the corresponding text.

Description

Etac shower stools/shower chairs:

Etac's shower stools/shower chairs have a stable design with built-in flexibility that adapts to uneven floors. All products have height-adjustable aluminium legs that are simple to attach. The legs are angled outwards to maximise stability regardless of height. All products are equipped with ferrules that provide good grip, even on uneven and damp floors. The products can be tilted forward to further facilitate standing up.

The seats are designed with an anti-slip pattern, ensuring a safe and non-slip seat even when it is wet. The seats also have drainage holes that effectively remove excess water from the stool.

Swift shower stool/shower chair:

Etac Swift is available as a shower stool, shower stool with arm supports, and complete shower chair with arm supports and backrest. Arm supports/Backrest are fitted and removed without tools and can be added afterwards/removed if necessary. The seat is reversible and features a hygiene recess. If the arm supports are not used, the opening enables a stable grip and support.

Intended use

Etac Swift/Edge/Easy/Smart (hereafter called the product) is intended to compensate for various types of injuries or disabilities that limit the user's mobility.

The product offers safe and stable seating in the shower or bathroom. Models with arm supports also provide support when sitting down, standing up, or performing a transfer.

The product is intended for adult users, generally persons who are at least 146 cm tall and who weigh at least 40 kg.

The product is intended for use in home environments and institutions.

The product is suitable for use in wet areas, but not pools or similar corrosive environments.

The product has been tested and complies with the requirements set out in EN ISO 10993-1 and SS EN 12182.

The product conforms to the requirements of the Medical Devices Regulation (EU) 2017/745.

Contraindications

There are no known contraindications.

 This product should be recycled as per national regulations.

Product description	See Figure A	Swift	Smart	Easy	Edge
A1. Seat A2. Legs A3. Ferrule		●	●	●	●
A4. Product label*		●	●	●	●
A5. Armrest A6. Backrest		●			

The product's date of manufacture can be read from the barcode on the product. The number 11 is shown below the barcode in brackets. The number combination after these brackets is the date of manufacture.

Technical data *See Figure B*

Assembly *See Figure C*

Dismantling *See Figure D*

1. Backrest 2. Legs 3. Armrest

Guarantee, lifetime

5-year guarantee against material and manufacturing defects. For terms and conditions, see www.etac.com
Service life 10 years. For complete information regarding the service life of the product, see www.etac.com.

 **Safety & Maintenance** *See Figure E*

- A defective product or accessory must not be used.
- E1.** A height difference of more than one hole (3°) is not allowed for chair legs.
- E2.** When moving sideways, do not lean on just one armrest.

- E3.** Max user weight
- E4.** Clean the product using a solvent-free cleaning agent with a pH value of 5-9 or with a 70% disinfectant solution.
- E5.** Can be decontaminated at max. 85° C/185°F for 3 minutes if required.

In case of an adverse event occurred in relation to use of the device, it should be reported to your local dealer and the national competent authority in a timely manner. The local dealer will forward information to the manufacturer.

Reuse

The product is suitable for reuse. The number of times it can be reused depends on how often and in which way the product is used. Before reuse, thoroughly clean and disinfect the product and check its safety features. If necessary, take remedial action.

Storage

The product should be stored indoors in a dry place at a temperature above 5°C. If the product has been stored for a long time (more than four months), its function must be checked by an expert before use.

Accessories	See Figure F	Swift	Smart	Easy	Edge
F1. Back support		●			
F2. Armrest/pair		●			
F3. Seat pad		●			
F4. Backrest pad		●			
F5. Soap dish/Shower head holder		●			
F6. Seat pad			●		
F7. Seat pad				●	
F8. Seat pad					●
F9. Swivel plate		●	●		